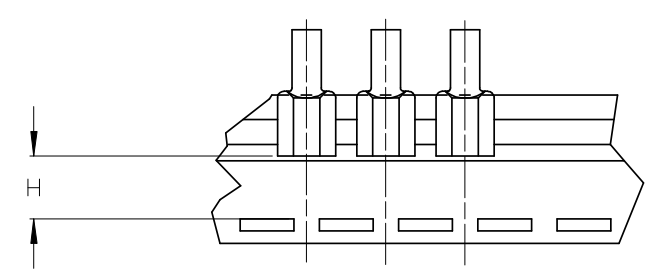
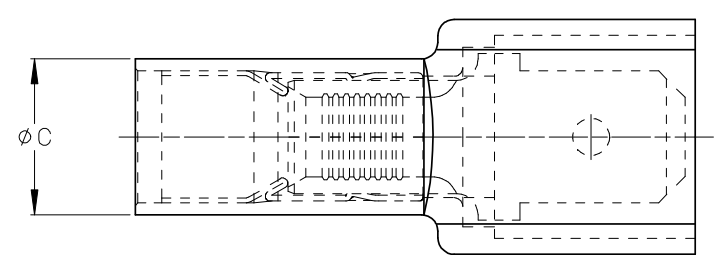
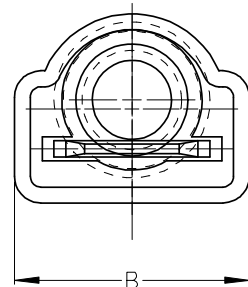
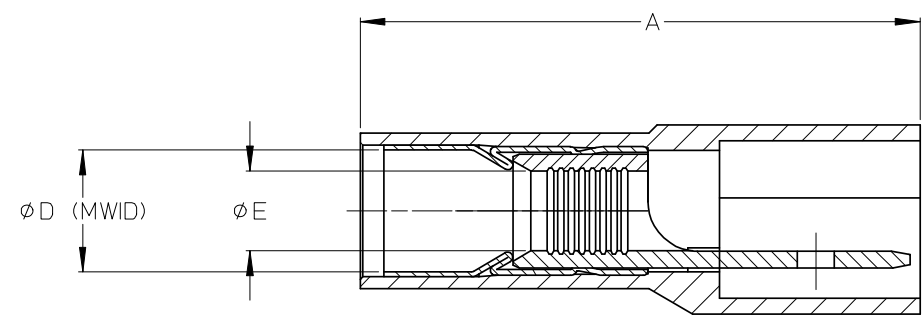


| ASSEMBLY NUMBER | | TAPE NUMBER | | ITEM DESCRIPTION | | | DIMENSIONS | | | | | |
|-----------------|--------------------|-----------------|------------------|------------------|---------------------------------------|---------------------------|------------|----------|---------|-----------|-----------|-----------|
| MATERIAL NUMBER | ENGINEERING NUMBER | MATERIAL NUMBER | TAPE ENG. NUMBER | COLOR | WIRE GAUGE | TAB SIZE | 'A' MAX | 'B' MAX | 'C' MAX | 'D' MIN | 'E' MIN | 'H' REF |
| 190010010 | C-5264 | 190010011 | C-5264T | YELLOW | 12-10 AWG (3.09-5.01mm ²) | .250 x .032 (6.35 x 0.81) | 1.08/27.4 | .45/11.4 | .31/7.9 | .230/5.84 | .144/3.66 | .415/10.5 |



TAPE MOUNTING DETAIL



- Ⓑ NOTES:
1. TERMINAL MATERIAL: BRASS
 2. TERMINAL PLATING: ZINC CHROMATE
 3. HOUSING: 6/6 NYLON
 4. MWID: MAXIMUM WIRE INSULATION DIAMETER
 5. TAB DIMENSIONS CONFORM TO UL310 SPECIFICATIONS.
 6. ASSEMBLY IS ROHS COMPLIANT

| | | | | | | | | | |
|---|-------------------------------|--|---------|---|--------------------|---|------------------------|--|--|
| REDRAW, MATERIALS EC NO: ETC2007-0081 DRAWN: EHILE 2008/01/28 CHKD: MACNEIL 2008/01/28 APPR: MACNEIL 2008/02/13 | QUALITY SYMBOLS ▽=0 ▽=0 | GENERAL TOLERANCES (UNLESS SPECIFIED) | | DIMENSION STYLE IN/MM Ⓑ | SCALE 4:1 | DESIGN UNITS INCH | THIRD ANGLE PROJECTION | | |
| | | 4 PLACES ± --- ± --- | mm INCH | DRAWN BY ASAYDEH | DATE 2005/11/01 | TITLE AVIKRIMP FULLY INSULATED MALE TAB | | | |
| | | 3 PLACES ± 0.005 ± .005 | | CHECKED BY REDEROSS | DATE 2005/11/01 | | | | |
| | | 2 PLACES ± 0.13 ± .01 | | APPROVED BY REDEROSS | DATE 2005/11/01 | MATERIAL NO. SEE CHART DOCUMENT NO. SD-19001-002 SHEET NO. 1 OF 1 | | | |
| 1 PLACE ± 0.25 ± --- | | DRAFT WHERE APPLICABLE MUST REMAIN WITHIN DIMENSIONS | | THIS DRAWING CONTAINS INFORMATION THAT IS PROPRIETARY TO MOLEX INCORPORATED AND SHOULD NOT BE USED WITHOUT WRITTEN PERMISSION | | | | | |